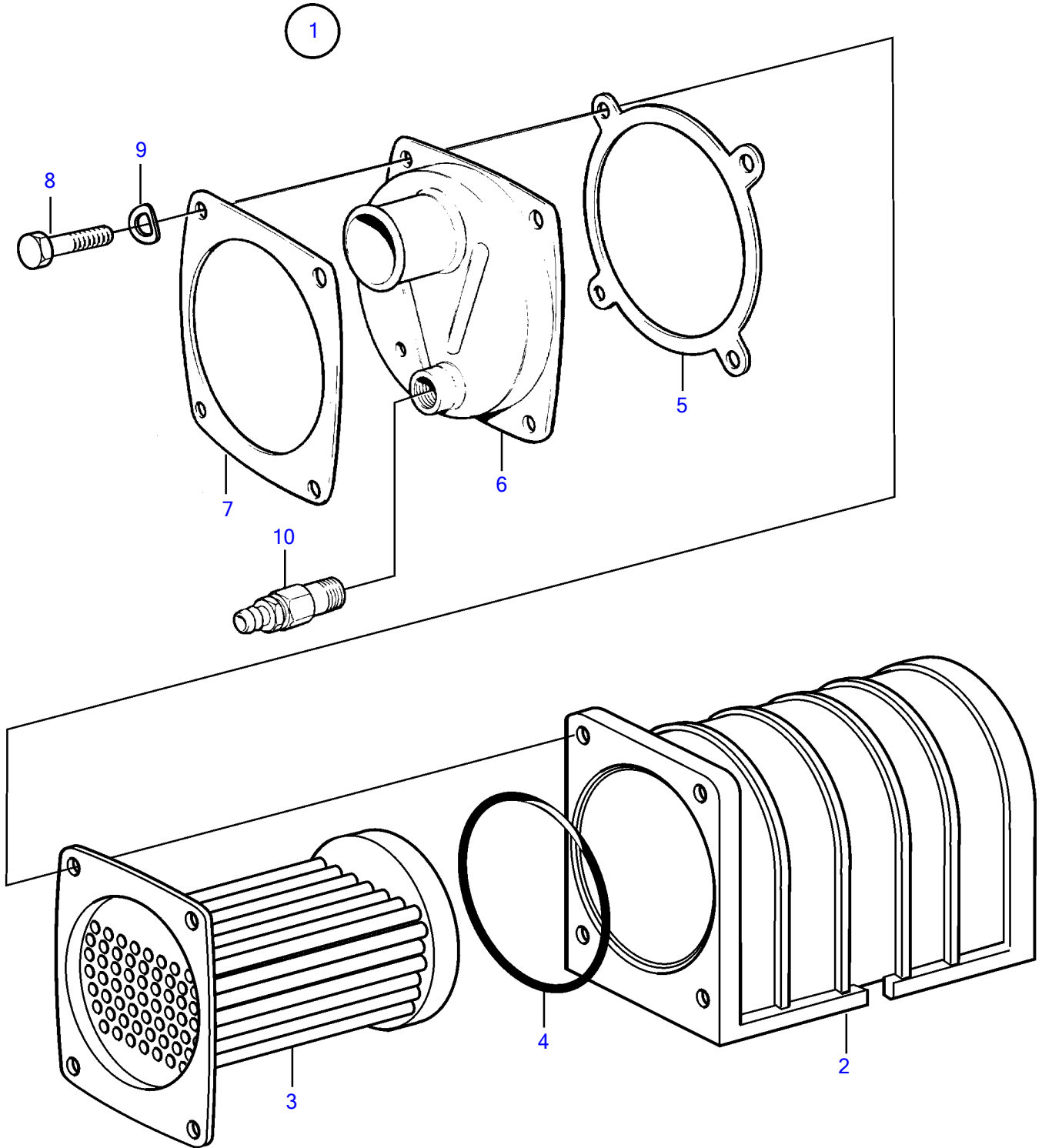


AD41D, D41D, TAM41D, TMD41D



AD41D, D41D, TAM41D, TMD41D

REF	PART NO.	QTY	DESCRIPTION
1	860635	1	Oil cooler
2		1	• Housing
3	860636	1	• Insert
4	948981	1	• O-ring
5	842597	1	• Gasket
6	842602	1	• End cover
7	842596	1	• Flange
8	955297	4	• Hexagon screw
9	941907	4	• Spring washer
10	949918	1	• Shut-off cock